



TJM Innovations - Magnacraft

5519 W. Woolworth Ave.

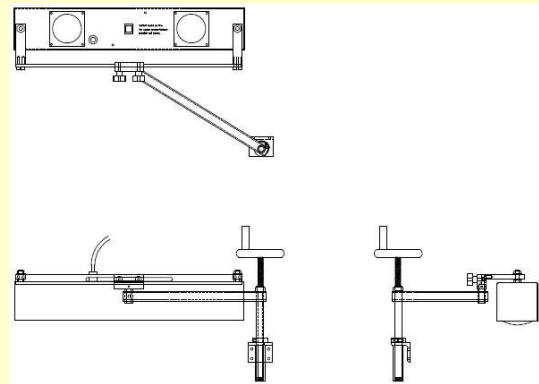
Milwaukee, WI 53218

Phone: (414) 206-2944

E-Mail: orders@magnacraft.net

Website: magnacraft.net

Dryer with Bracket



Drying system for drying ink on addressed products.

Specifications

Dryer

Dimensions: 24" L x 4-1/2" W

Weight: 17 Pounds

Mounts to the side of most

Mail bases and tables

3" Adjustable height

Electrical

Power Requirements: 230 VAC, 60 Hz, 1 Ph, 13A

2 - 4" blowers

3000W

Application

Mounts to Inkjet Base